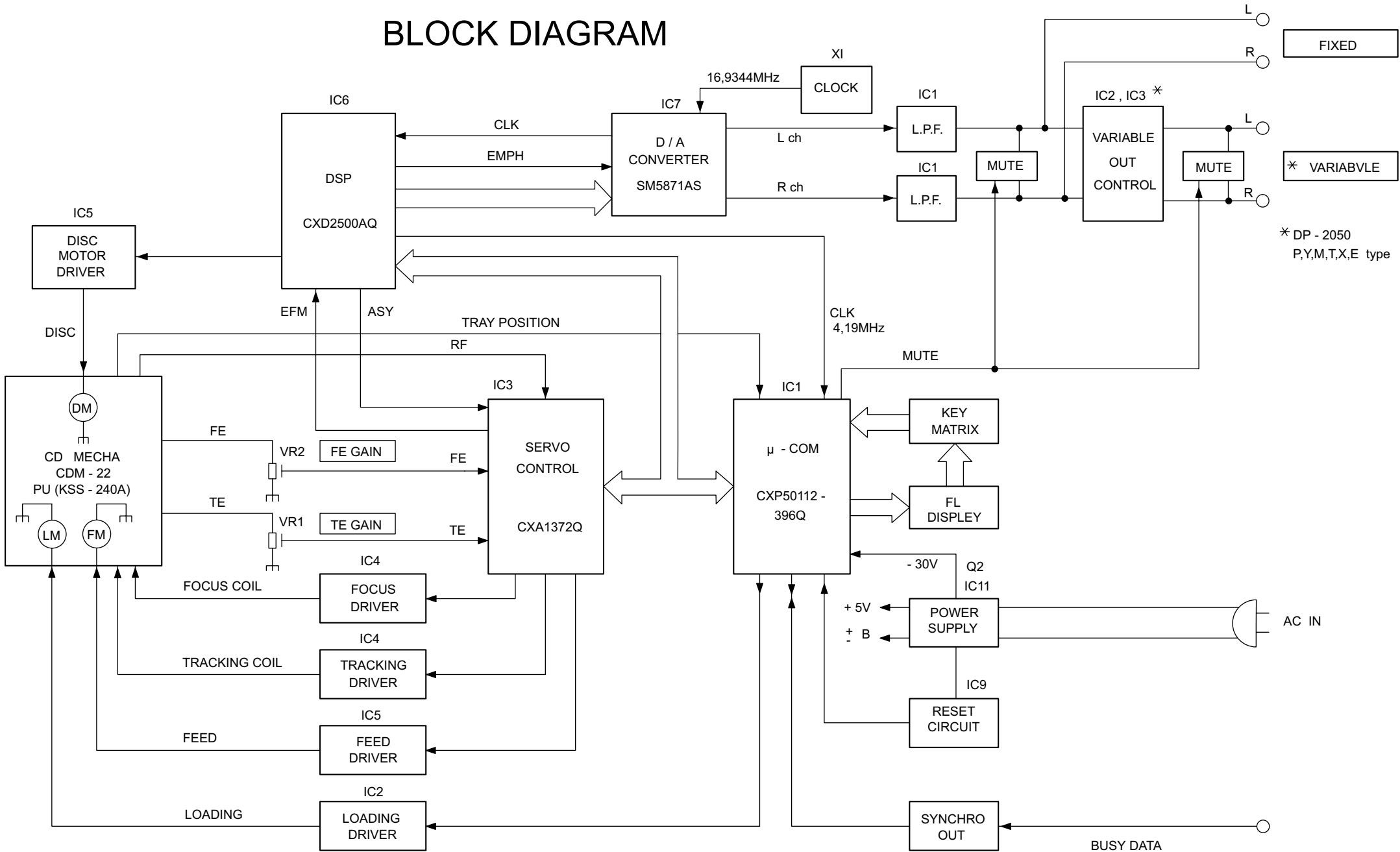


# Odtwarzacz CD Kenwood DP-1050/2050

## BLOCK DIAGRAM

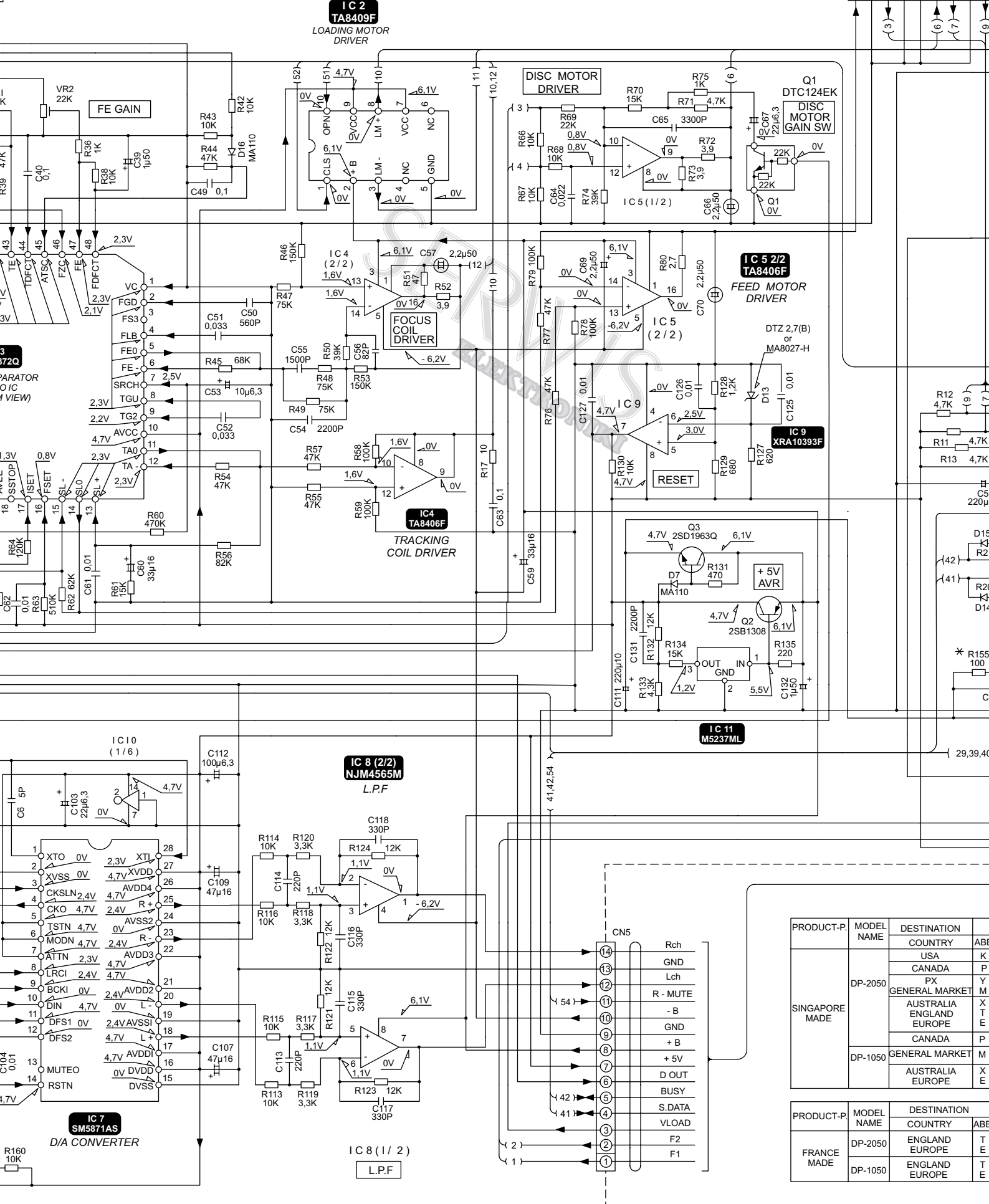


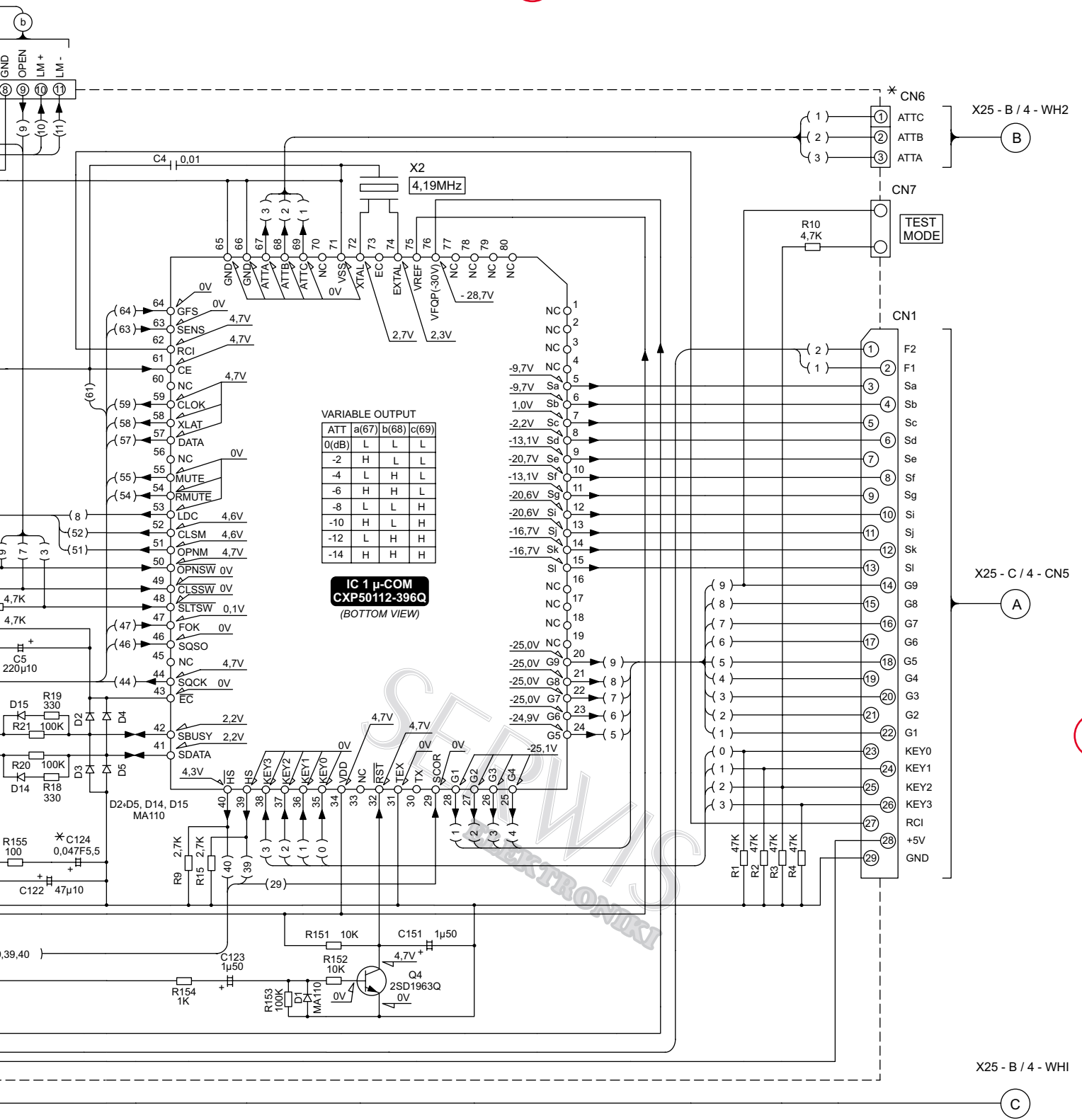
\* DP - 2050  
P,Y,M,T,X,E type





# Odtwarzacz CD Kenwood DP-1050/2050



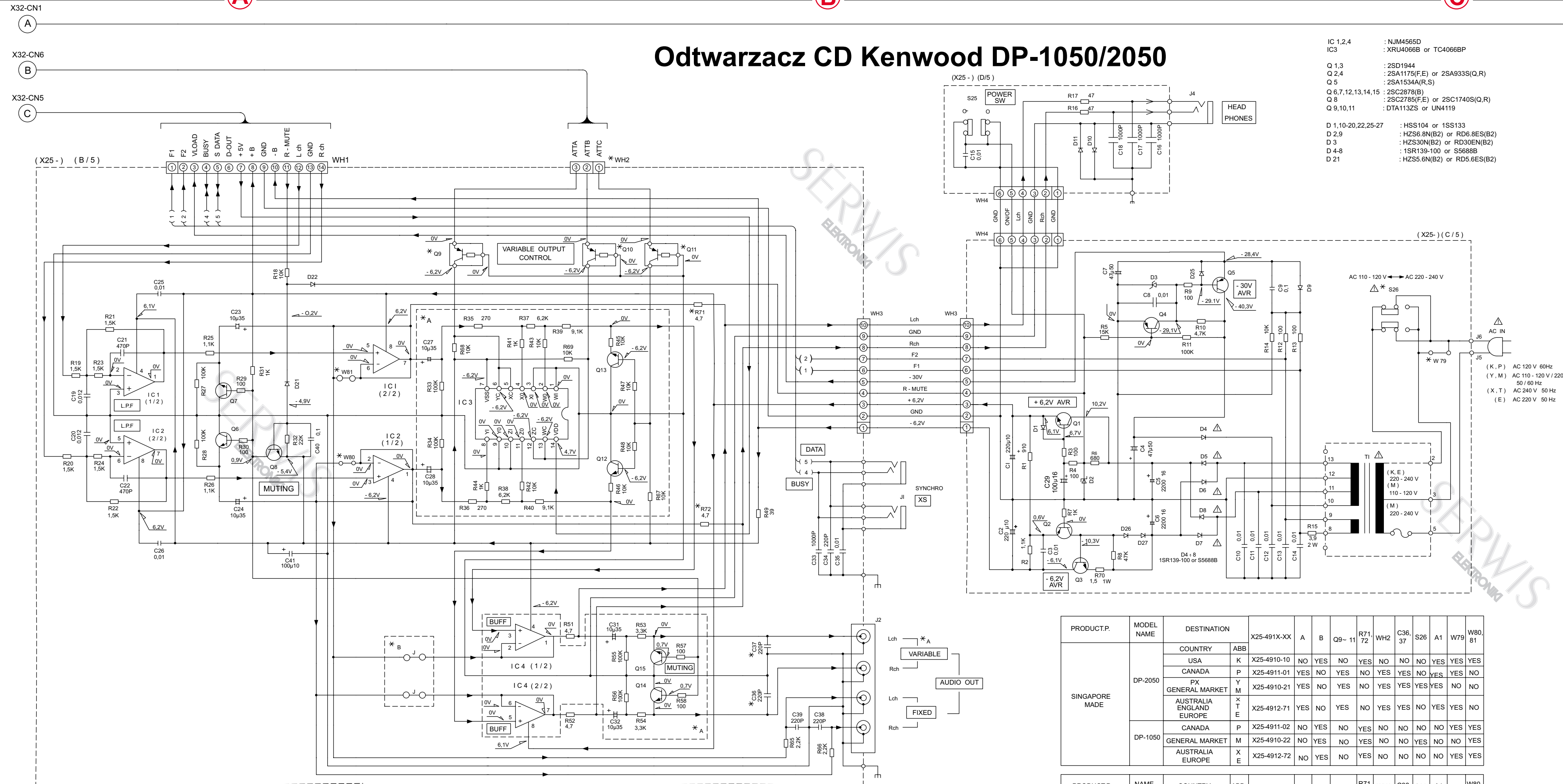


1

ABB	X92-1750-XX	X25-491X-XX	X32-2310-XX	C124	R155	CN6
K		X25-4910-10				NO
P		X25-4911-01				YES
Y	X92-1750-31	X25-4910-21	X32-2310-10	YES	YES	YES
M	CDM-22(3B)S					
X		X25-4912-72				YES
P		X25-4911-02				
M	X92-1750-21	X25-4910-22	X32-2310-11	NO	NO	NO
X	CDM-22(2B)S	X25-4912-72				

ABB	X92-1780-XX	X25-4962-7X	X32-2360-XX	C124	R155	CN6
T	X92-1780-31	X25-4962-70	X32-2310-10	YES	YES	YES
E	CDM-22(3)F					
T	X92-1780-21	X25-4962-71	X32-2360-11	NO	NO	NO
E	CDM-22(2)F					

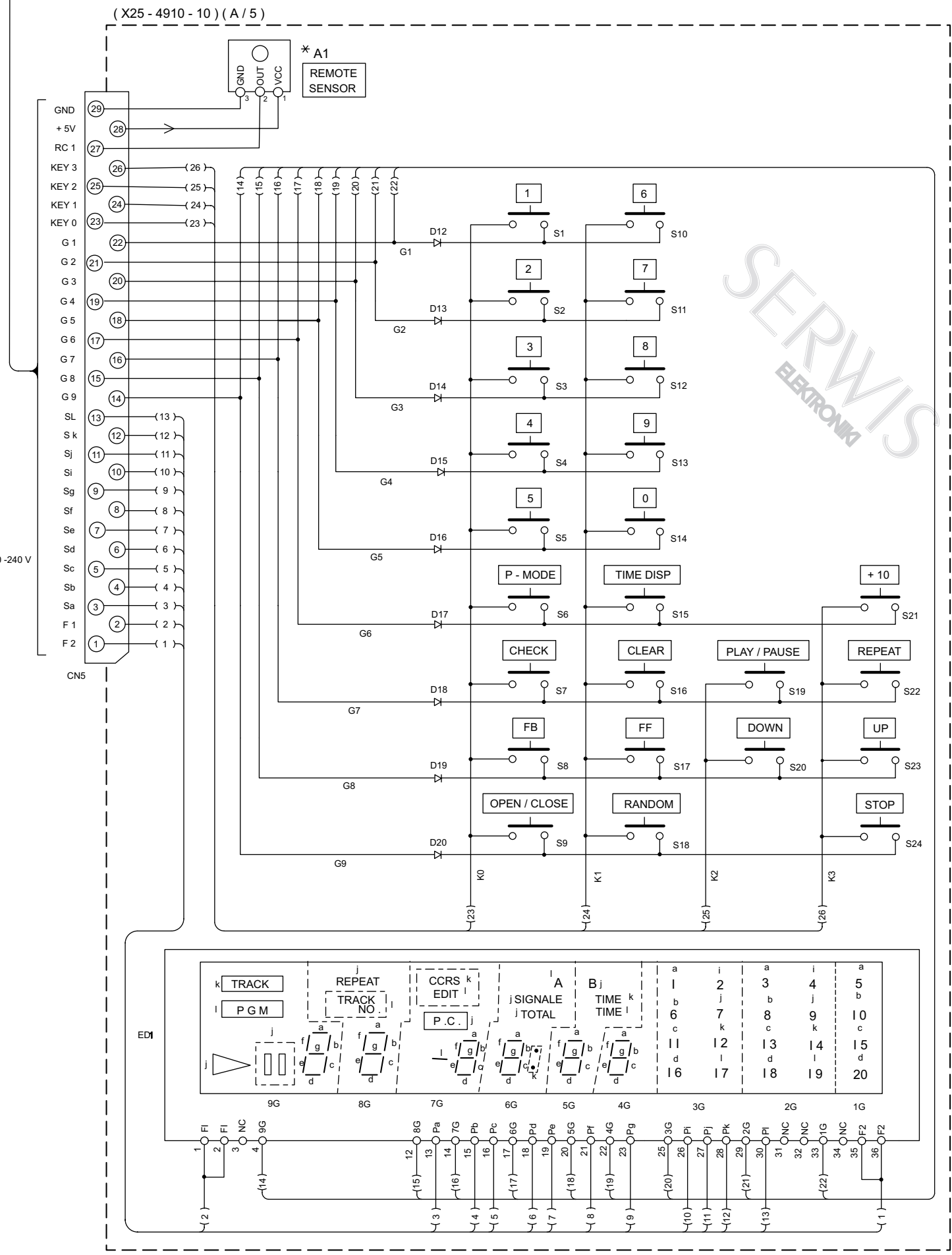
# Odtwarzacz CD Kenwood DP-1050/2050



- IC 1,2,4 : NJM4565D  
 IC3 : XRU4066B or TC4066BP  
 Q 1,3 : 2SD1944  
 Q 2,4 : 2SA1175(F,E) or 2SA933S(Q,R)  
 Q 5 : 2SA1534A(R,S)  
 Q 6,7,12,13,14,15 : 2SC2878(B)  
 Q 8 : 2SC2785(F,E) or 2SC1740S(Q,R)  
 Q 9,10,11 : DTA1132S or UN4119  
 D 1,10,20,22,25-27 : HSS104 or 1SS133  
 D 2,9 : HZS6.8N(B2) or RD6.8ES(B2)  
 D 3 : HZS30N(B2) or RD30EN(B2)  
 D 4-8 : 1SR139-100 or S5688B  
 D 21 : HZS5.6N(B2) or RD5.6ES(B2)

PRODUCT.P.	MODEL NAME	DESTINATION	X25-491X-XX	A	B	Q9-11	R71,72	WH2	C36,37	S26	A1	W79	W80,81	
SINGAPORE MADE	DP-2050	COUNTRY	ABB											
		USA	K	X25-4910-10	NO	YES	NO	YES	NO	NO	YES	YES	YES	
		CANADA	P	X25-4911-01	YES	NO	YES	NO	YES	YES	YES	YES	NO	
		PX GENERAL MARKET	Y	X25-4910-21	YES	NO	YES	NO	YES	YES	YES	NO	NO	
		AUSTRALIA ENGLAND EUROPE	X	T	X25-4912-71	YES	NO	YES	NO	YES	NO	YES	YES	NO
		CANADA	P	X25-4911-02	NO	YES	NO	YES	NO	NO	NO	NO	YES	YES
FRANCE MADE	DP-1050	GENERAL MARKET	M	X25-4910-22	NO	YES	NO	YES	NO	NO	YES	NO	YES	
		ENGLAND EUROPE	T	E	X25-4962-70	YES	NO	YES	NO	YES	NO	YES	NO	
		ENGLAND EUROPE	T	E	X25-4962-71	NO	YES	NO	YES	NO	NO	NO	YES	YES

PRODUCT.P.	NAME MODEL	COUNTRY	ABB.	X25-4962-7X	A	B	Q9-11	R71,72	WH2	C36,37	S26	A1	W79	W80,81
FRANCE MADE	DP-2050	ENGLAND EUROPE	T	E	X25-4962-70	YES	NO	YES	NO	YES	NO	YES	YES	NO
		ENGLAND EUROPE	T	E	X25-4962-71	NO	YES	NO	YES	NO	NO	NO	NO	YES



DP - 2050 (K) / DP - 1050 (E) (2 / 2)



# Odtwarzacz CD Kenwood DP-1050/2050

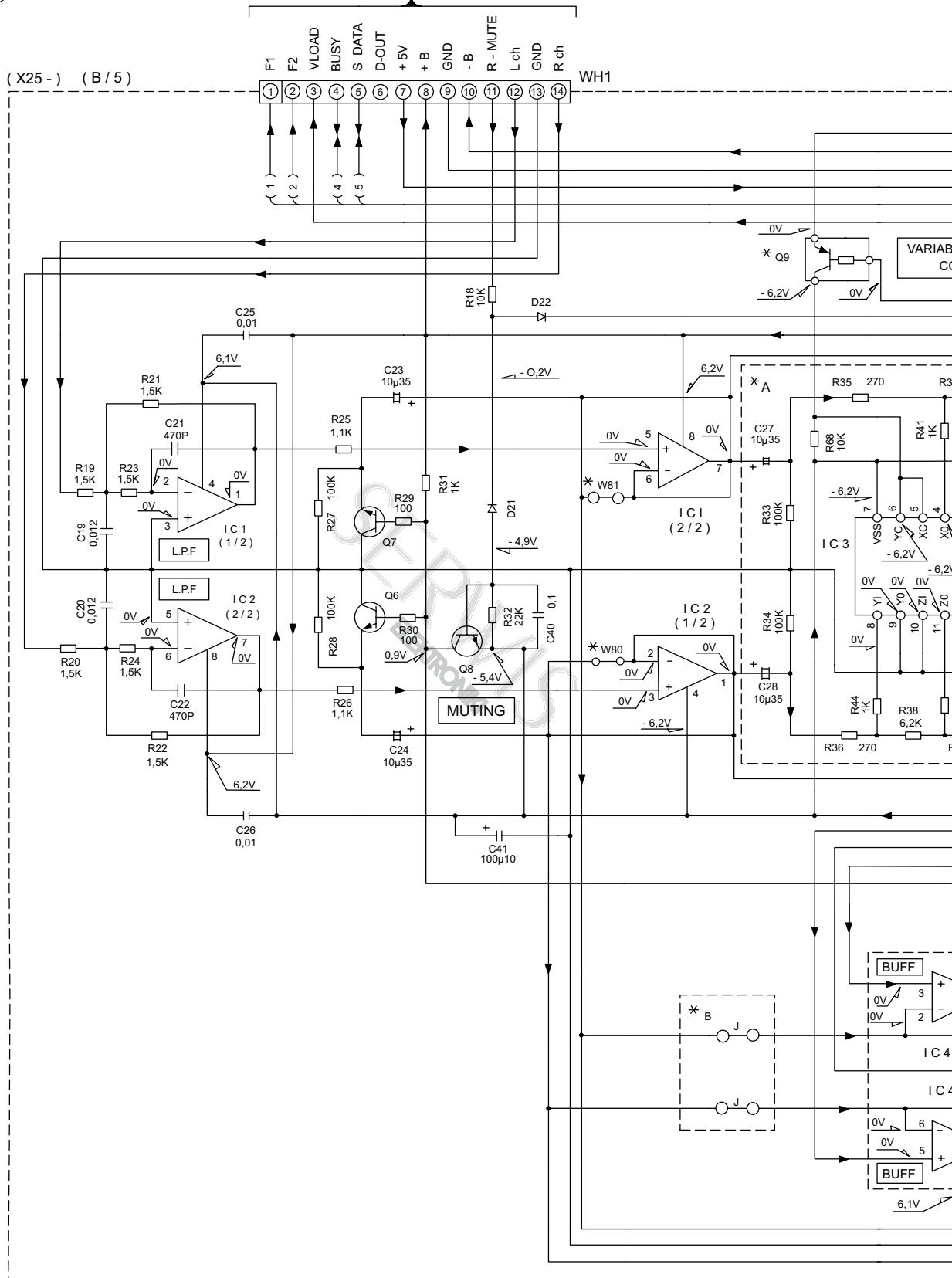
X32-CN1



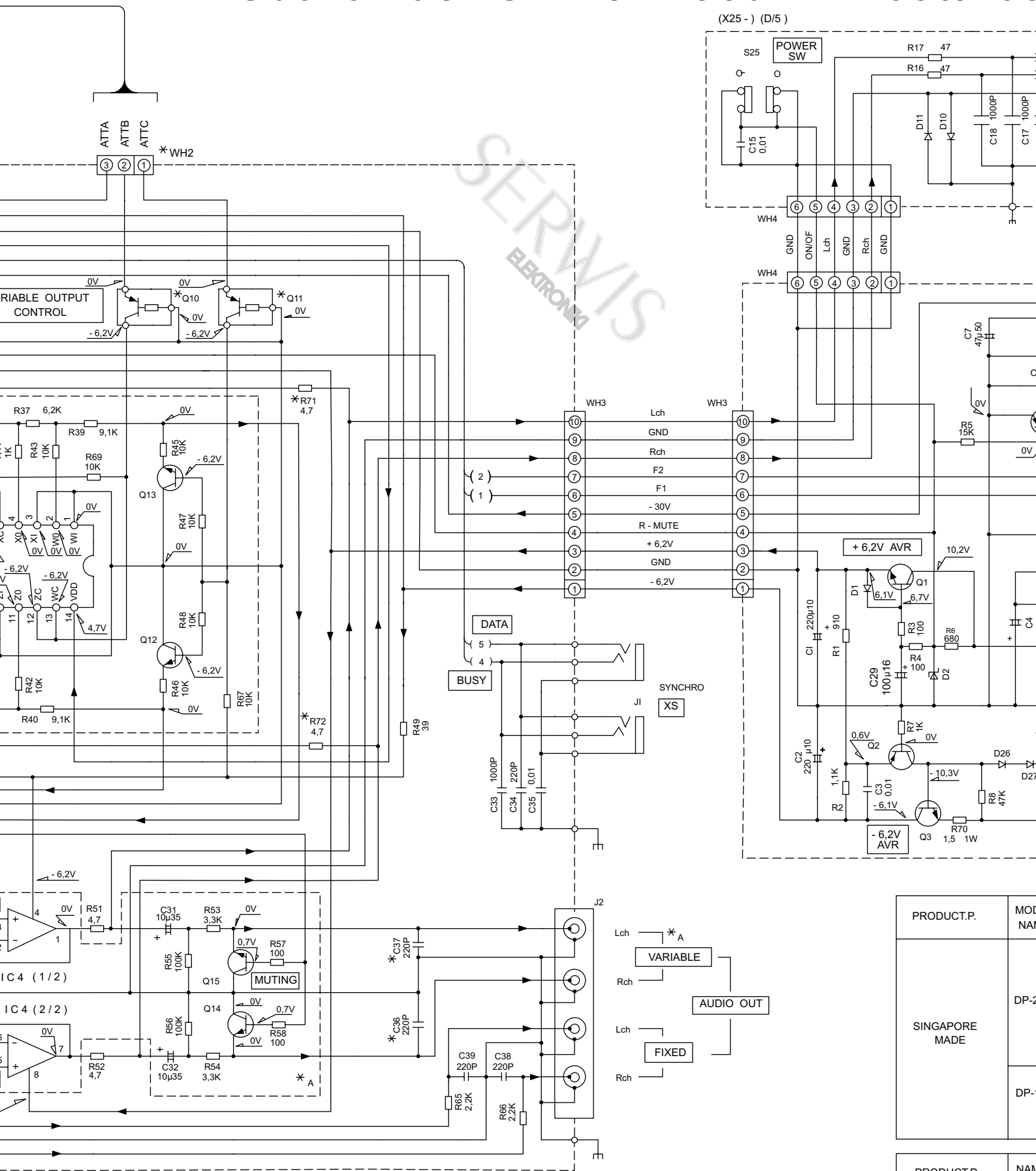
X32-CN6



X32-CN5



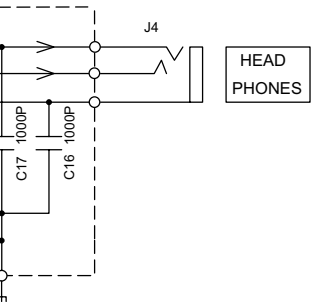
# Odtwarzacz CD Kenwood DP-1050/205



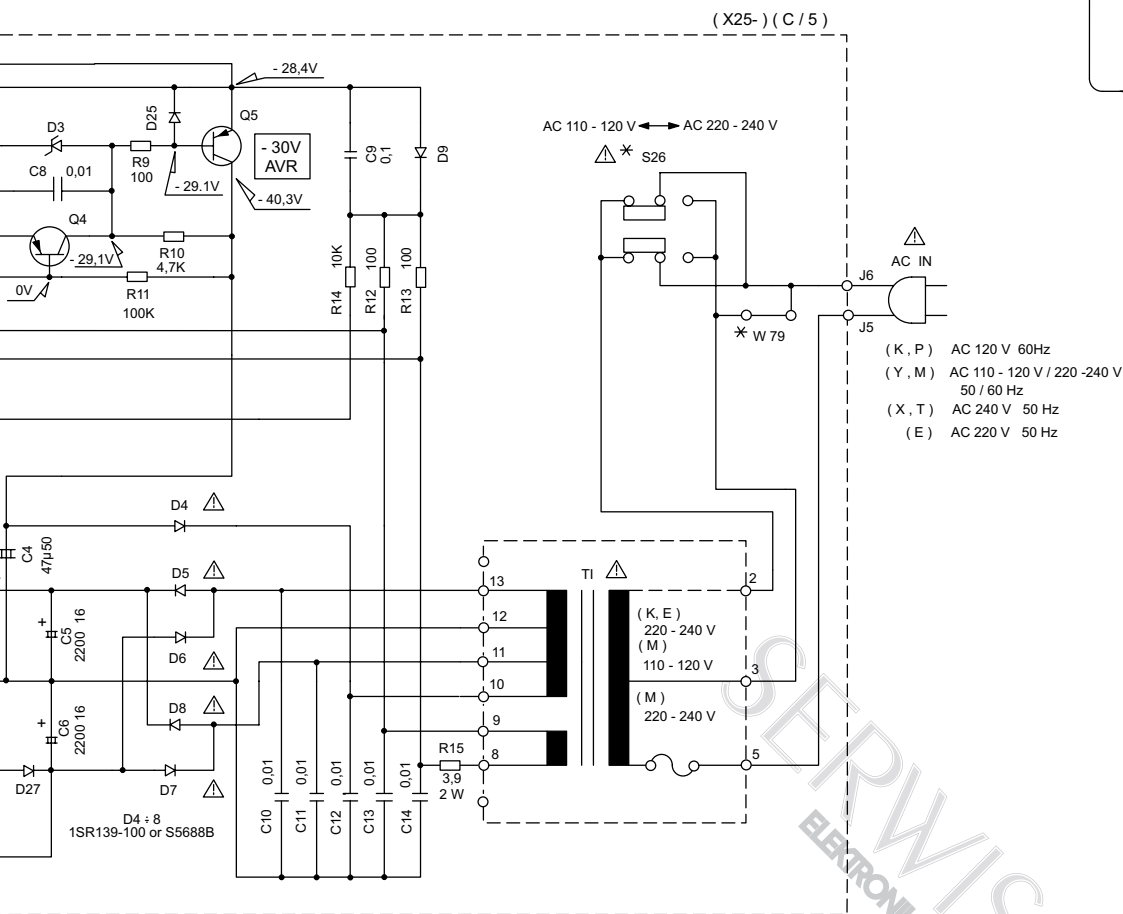
PRODUCT.P.	MOD
SINGAPORE MADE	DP-2
FRANCE MADE	DP-



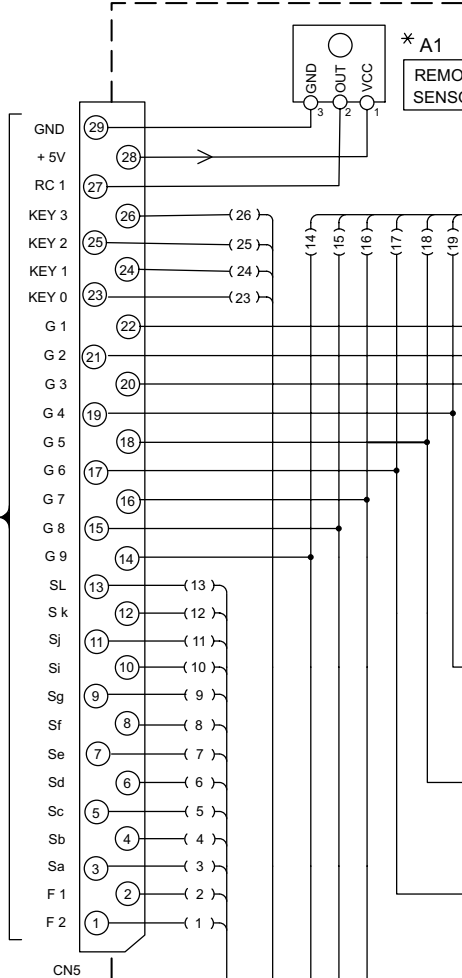
050



- IC 1,2,4 : NJM4565D
- IC3 : XRU4066B or TC4066BP
- Q 1,3 : 2SD1944
- Q 2,4 : 2SA1175(F,E) or 2SA933S(Q,R)
- Q 5 : 2SA1534A(R,S)
- Q 6,7,12,13,14,15 : 2SC2878(B)
- Q 8 : 2SC2785(F,E) or 2SC1740S(Q,R)
- Q 9,10,11 : DTA113ZS or UN4119
- D 1,10-20,22,25-27 : HSS104 or 1SS133
- D 2,9 : HZS6.8N(B2) or RD6.8ES(B2)
- D 3 : HZS30N(B2) or RD30EN(B2)
- D 4-8 : 1SR139-100 or S5688B
- D 21 : HZS5.6N(B2) or RD5.6ES(B2)

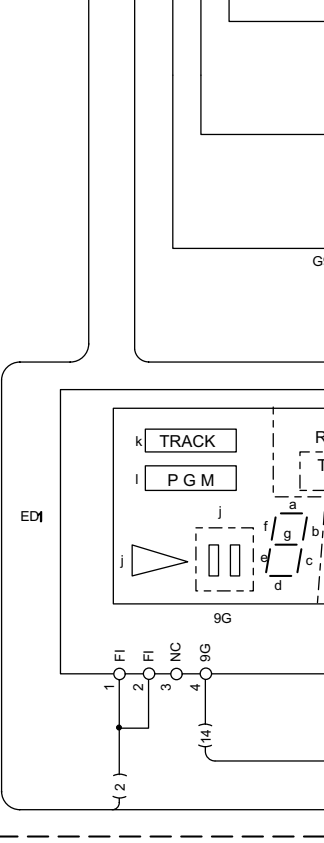


( X25 - 4910 - 10 ) ( A / 5 )

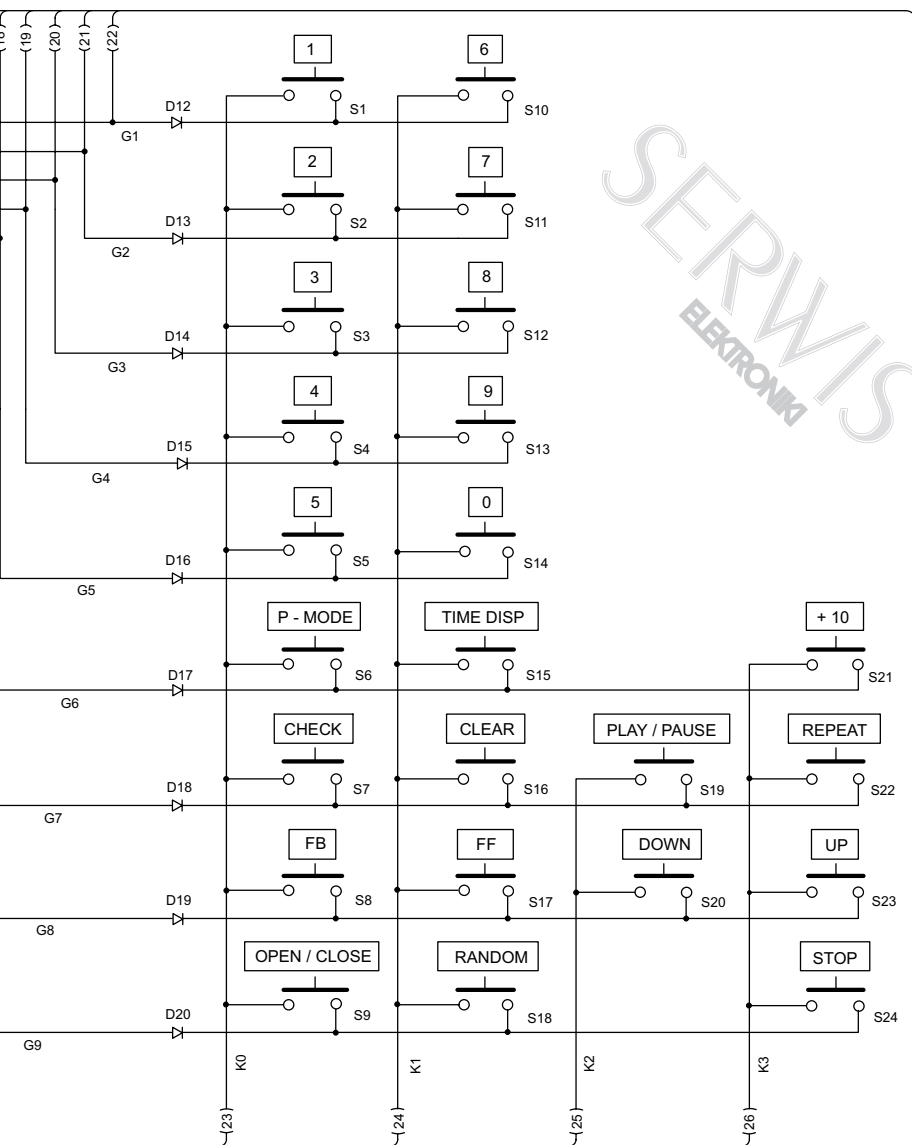


MODEL NAME	DESTINATION		X25-491X-XX	A	B	Q9~ 11	R71, 72	WH2	C36, 37	S26	A1	W79	W80, 81
	COUNTRY	ABB											
DP-2050	USA	K	X25-4910-10	NO	YES	NO	YES	NO	NO	NO	YES	YES	YES
	CANADA	P	X25-4911-01	YES	NO	YES	NO	YES	YES	NO	YES	YES	NO
	PX GENERAL MARKET	Y M	X25-4910-21	YES	NO	YES	NO	YES	YES	YES	YES	NO	NO
	AUSTRALIA ENGLAND EUROPE	X T E	X25-4912-71	YES	NO	YES	NO	YES	YES	NO	YES	YES	NO
DP-1050	CANADA	P	X25-4911-02	NO	YES	NO	YES	NO	NO	NO	NO	YES	YES
	GENERAL MARKET	M	X25-4910-22	NO	YES	NO	YES	NO	NO	YES	NO	NO	YES
	AUSTRALIA EUROPE	X E	X25-4912-72	NO	YES	NO	YES	NO	NO	NO	NO	YES	YES

NAME MODEL	COUNTRY	ABB.	X25-4962-7X	A	B	Q9 11	R71, 72	WH2	C36, 37	S26	A1	W79	W80, 81
DP-2050	ENGLAND EUROPE	T E	X25-4962-70	YES	NO	YES	NO	YES	YES	NO	YES	YES	NO
DP-1050	ENGLAND EUROPE	T E	X25-4962-71	NO	YES	NO	YES	NO	NO	NO	NO	YES	YES

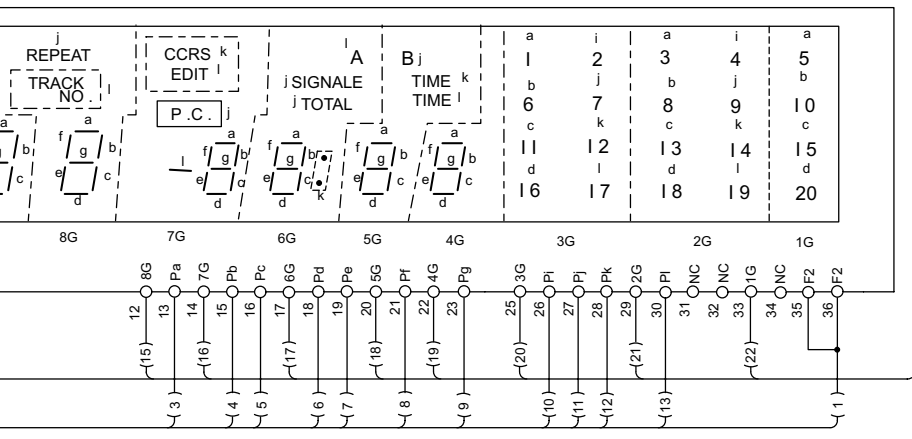


A1  
REMOTE  
SENSOR



SERVIS  
ELEKTRONIK

1



DP - 2050 ( K ) / DP - 1050 ( E ) ( 2 / 2 )